

Instruction:

Step 1:

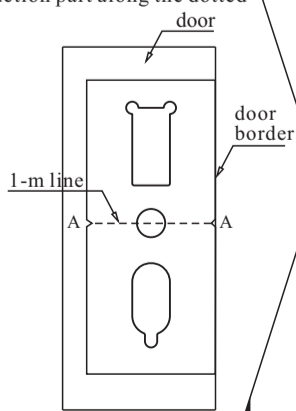
Separate Fig①, ②, ③ & instruction part along the dotted line (total 4pcs);

Step 2:(holes for Lock Panel)

(1) Draw a horizontal line on the door which is 1-m line distanced to the floor. (1-m line is only for reference, the position of this line can be adjusted according to the height of handle installed);

(2) Put Fig② against the door and align to door border; then align Line A-A to the line (1-m line) drawn in the 1st step;

(3) Draw lines according to Fig②.



Step 3:(holes for Mortise)

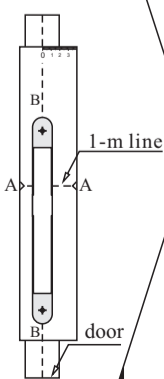
(1) Draw a center line according to door thickness;

(2) Find scale number "0" in Fig①, align the "0" line to the center line drawn in the 1st step, and Line A-A to the 1-m line;

(3) Making holes:

a. Mark the size & position of the middle hole, make its depth as 103mm;

b. Find 4 holes on each edge on template, put the template back to locate the grey area, and make its depth as 3.2mm.



Step 4:(holes for Strike Plate)

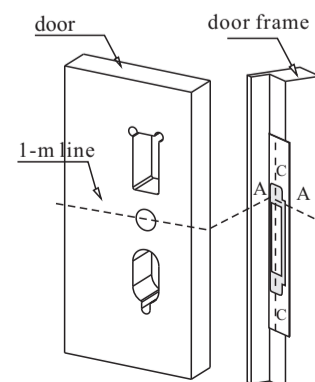
(1) After making holes on door, close the door and draw a horizontal 1-m line again on door frame, then draw another center line according to thickness of door frame;

(2) Align Line C-C on Fig③ to the center line on door frame, and align Line A-A on Fig③ to 1-m line on door frame;

(3) Making holes:

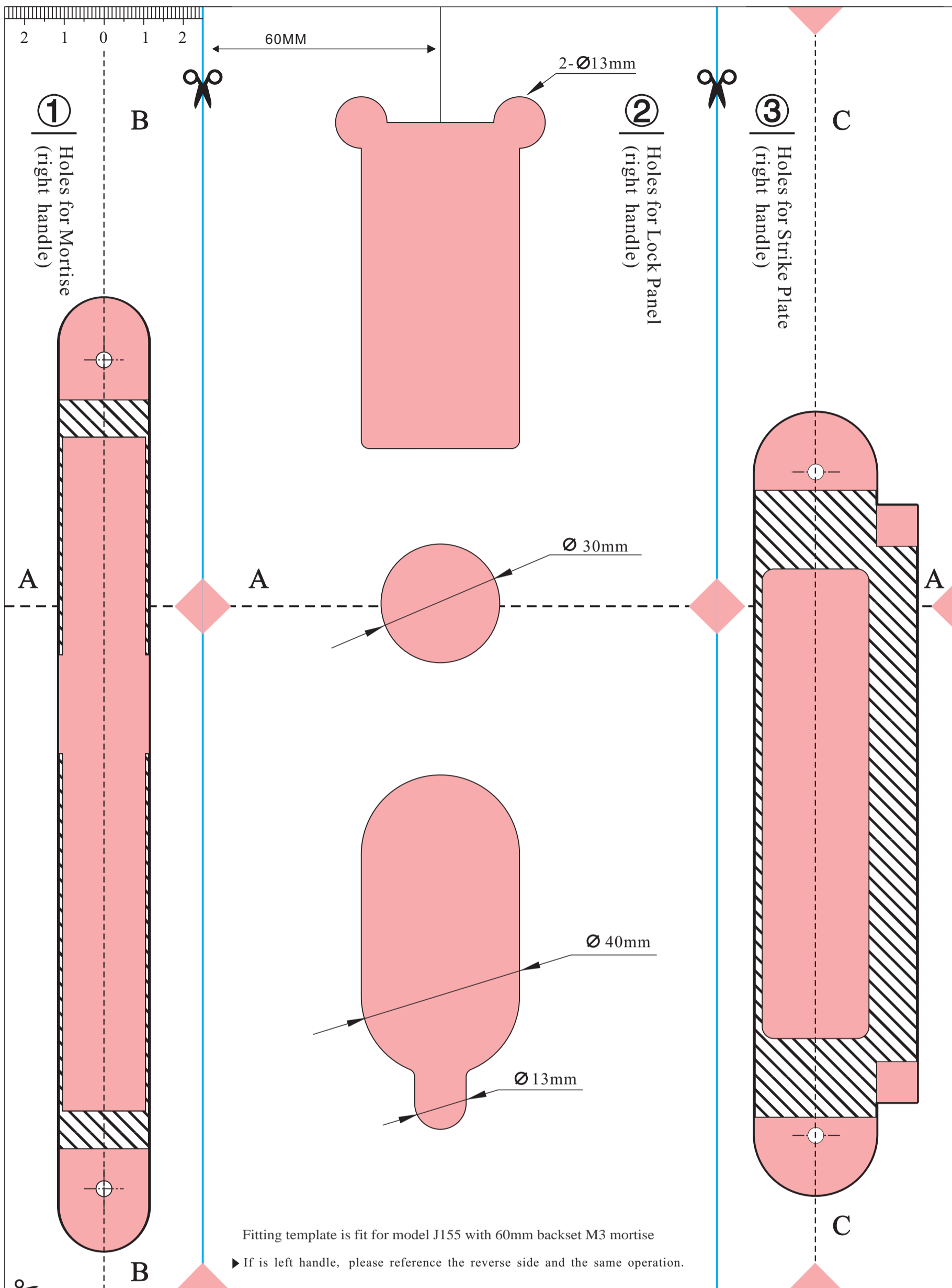
a. Mark the size & position of the middle hole, make its depth as 22mm;

b. Find 4 holes on each edge on template, put the template back to locate the grey area, and make its depth as 3mm.



► Remarks: 1. Position and size of the holes must be confirmed before cutting.

2. If there is shock absorption bar on door frame, its thickness should be excluded from door thickness.



Instruction:

Step 1:

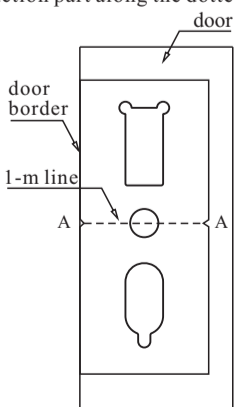
Separate Fig①, ②, ③ & instruction part along the dotted line (total 4pcs);

Step 2:(holes for Lock Panel)

(1) Draw a horizontal line on the door which is 1-m line distanced to the floor. (1-m line is only for reference, the position of this line can be adjusted according to the height of handle installed);

(2) Put Fig② against the door and align to door border; then align Line A-A to the line (1-m line) drawn in the 1st step;

(3) Draw lines according to Fig②.



Step 3:(holes for Mortise)

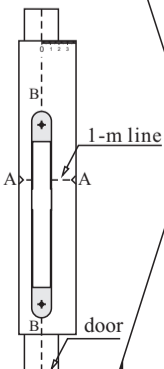
(1) Draw a center line according to door thickness;

(2) Find scale number "0" in Fig①, align the "0" line to the center line drawn in the 1st step, and Line A-A to the 1-m line;

(3) Making holes:

a. Mark the size & position of the middle hole, make its depth as 103mm;

b. Find 4 holes on each edge on template, put the template back to locate the grey area, and make its depth as 3.2mm.



Step 4:(holes for Strike Plate)

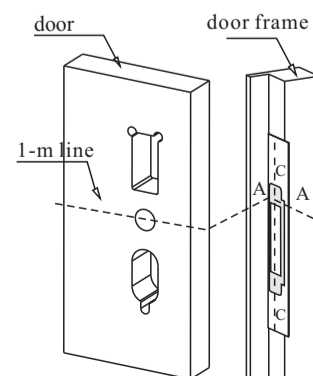
(1) After making holes on door, close the door and draw a horizontal 1-m line again on door frame, then draw another center line according to thickness of door frame;

(2) Align Line C-C on Fig③ to the center line on door frame, and align Line A-A on Fig③ to 1-m line on door frame;

(3) Making holes:

a. Mark the size & position of the middle hole, make its depth as 22mm;

b. Find 4 holes on each edge on template, put the template back to locate the grey area, and make its depth as 3mm.



► Remarks: 1. Position and size of the holes must be confirmed before cutting.

2. If there is shock absorption bar on door frame, its thickness should be excluded from door thickness.