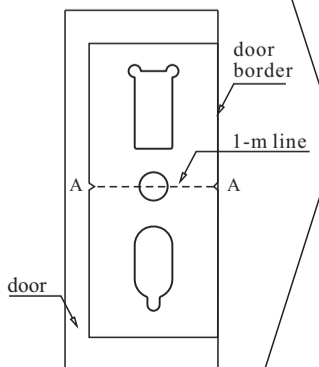


Instruction:

Step 1:
Separate Fig①, ②, ③ & instruction part along the dotted line (total 4pcs);

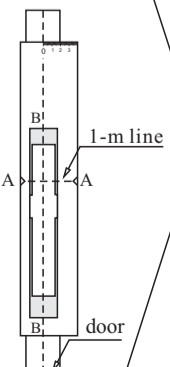
Step 2:(holes for Lock Panel)

(1) Draw a horizontal line on the door which is 1-m line distanced to the floor. (1-m line is only for reference, the position of this line can be adjusted according to the height of handle installed);
(2) Put Fig② against the door and align to door border; then align Line A-A to the line (1-m line) drawn in the 1st step;
(3) Draw lines according to Fig②.



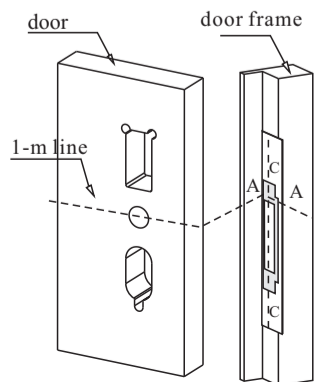
Step 3:(holes for Mortise)

(1) Draw a center line according to door thickness;
(2) Find scale number "0" in Fig①, align the "0" line to the center line drawn in the 1st step, and Line A-A to the 1-m line;
(3) Making holes:
a. Mark the size & position of the middle hole, make its depth as 116mm for M1 mortise (70mm back set)
b. Find 4 holes on each edge on template, put the template back to locate the grey area, and make its depth as 5.5mm.

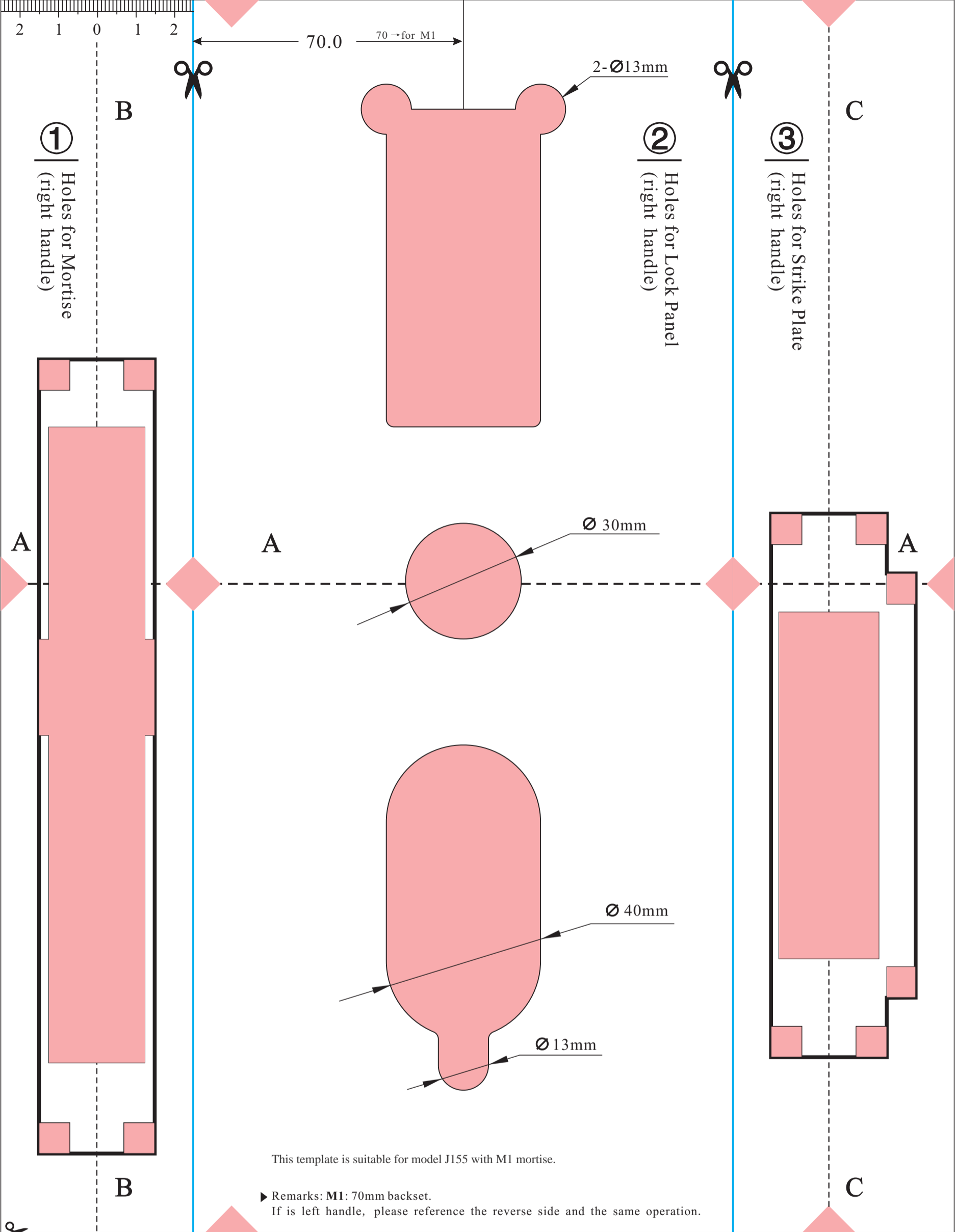


Step 4:(holes for Strike Plate)

(1) After making holes on door, close the door and draw a horizontal 1-m line again on door frame, then draw another center line according to thickness of door frame;
(2) Align Line C-C on Fig③ to the center line on door frame, and align Line A-A on Fig③ to 1-m line on door frame;
(3) Making holes:
a. Mark the size & position of the middle hole, make its depth as 28mm;
b. Find 6 holes on each edge on template, put the template back to locate the grey area, and make its depth as 3mm.



► Remarks:
1. Position and size of the holes must be confirmed before cutting. 2. If there is shock absorption bar on door frame, its thickness should be excluded from door thickness.



This template is suitable for model J155 with M1 mortise.

► Remarks: M1: 70mm backset.
If is left handle, please reference the reverse side and the same operation.

Instruction:

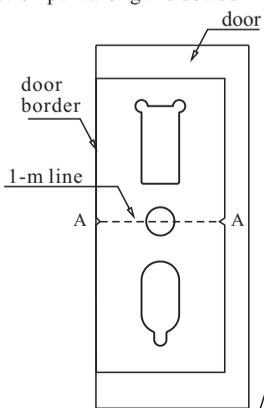
Step 1:
Separate Fig①, ②, ③ & instruction part along the dotted line (total 4pcs);

Step 2:(holes for Lock Panel)

(1) Draw a horizontal line on the door which is 1-m line distanced to the floor. (1-m line is only for reference, the position of this line can be adjusted according to the height of handle installed);

(2) Put Fig② against the door and align to door border; then align Line A-A to the line (1-m line) drawn in the 1st step;

(3) Draw lines according to Fig②.

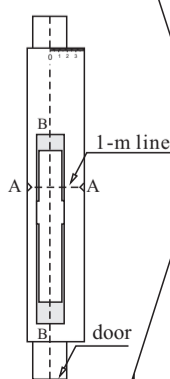


Step 3:(holes for Mortise)

(1) Draw a center line according to door thickness;

(2) Find scale number "0" in Fig①, align the "0" line to the center line drawn in the 1st step, and Line A-A to the 1-m line;

(3) Making holes:
a. Mark the size & position of the middle hole, make its depth as 116mm for M1 mortise (70mm back set)
b. Find 4 holes on each edge on template, put the template back to locate the grey area, and make its depth as 5.5 mm.



Step 4:(holes for Strike Plate)

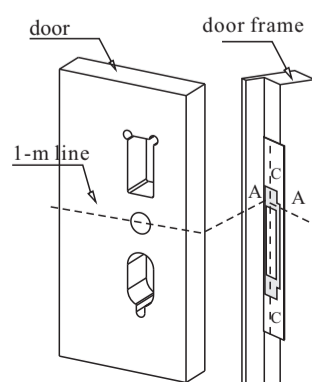
(1) After making holes on door, close the door and draw a horizontal 1-m line again on door frame, then draw another center line according to thickness of door frame;

(2) Align Line C-C on Fig③ to the center line on door frame, and align Line A-A on Fig③ to 1-m line on door frame;

(3) Making holes:

a. Mark the size & position of the middle hole, make its depth as 28mm;

b. Find 6 holes on each edge on template, put the template back to locate the grey area, and make its depth as 3 mm.



► Remarks:

1. Position and size of the holes must be confirmed before cutting. 2. If there is shock absorption bar on door frame, its thickness should be excluded from door thickness.