



RFID Electronic Door Lock System

Email: jk@jktech.co
www.jktech.co

model 162 Identity RFID Lock

Model 162 Identity lock uses RFID technology to offer seamless 'contactless' operation, enhancing convenience and ease of use. Its 'split', modern design lends itself to new schemes and refurbishment projects - a varying selection of lock sets, fore ends, keep plates and escutcheons aid a simple upgrade from older mechanical keyed systems or outdated, redundant mag-swipe systems.



Applications:

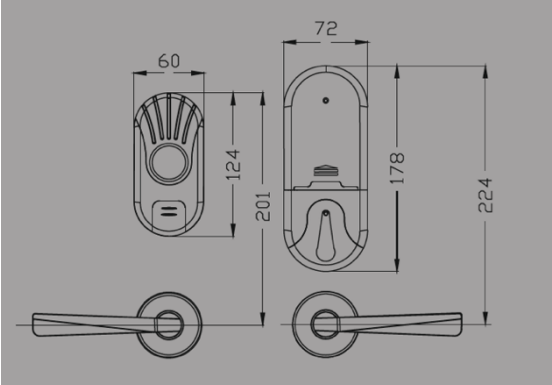
- Hotel, spa resort & Leisure complex
- Student accommodation & University campus
- Residential accommodation
- Commercial office block

Features:

- High security & tamper proof design
- Security deadbolt for added privacy
- Emergency one action egress from inside
- Latch alarm for improper door closing
- Fire rated
- Smartphone compatible

Accreditations:

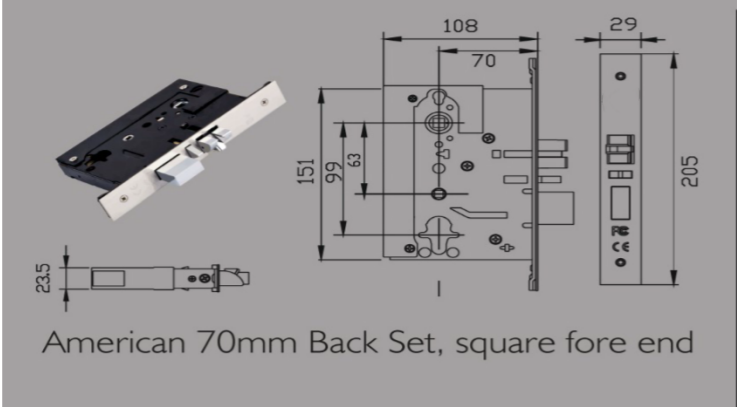
- EN 14846:2008 - Electromechanically operated locks & striking plates
- EN 50371:2012 - R&TTE, low-power human RF exposure & European EMC, LVD directive



Audit/Data trial function:

The lock set has the ability to store 1000 transactions of which token (card, fob, wristband, mechanical key etc.) opened the door at what time & date. In addition, the lock set also records when the door was opened from inside.

Lock Case Options:



RFID Electronic Door Lock System

Email: jk@jktech.co
www.jktech.co